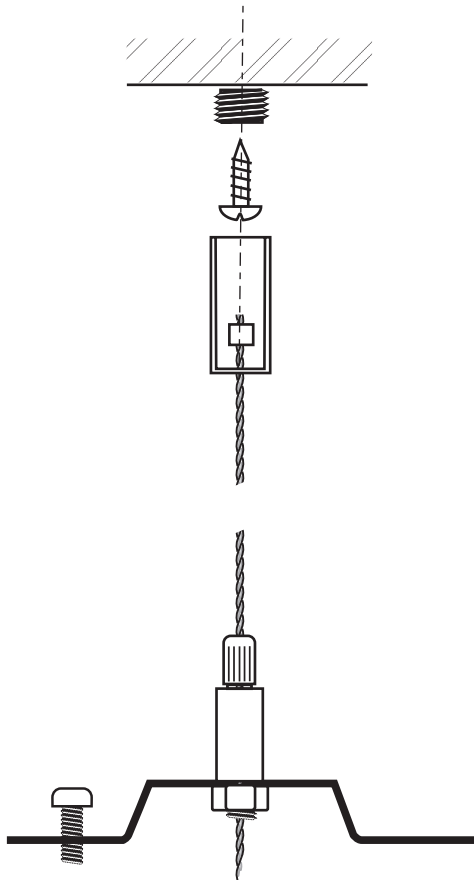


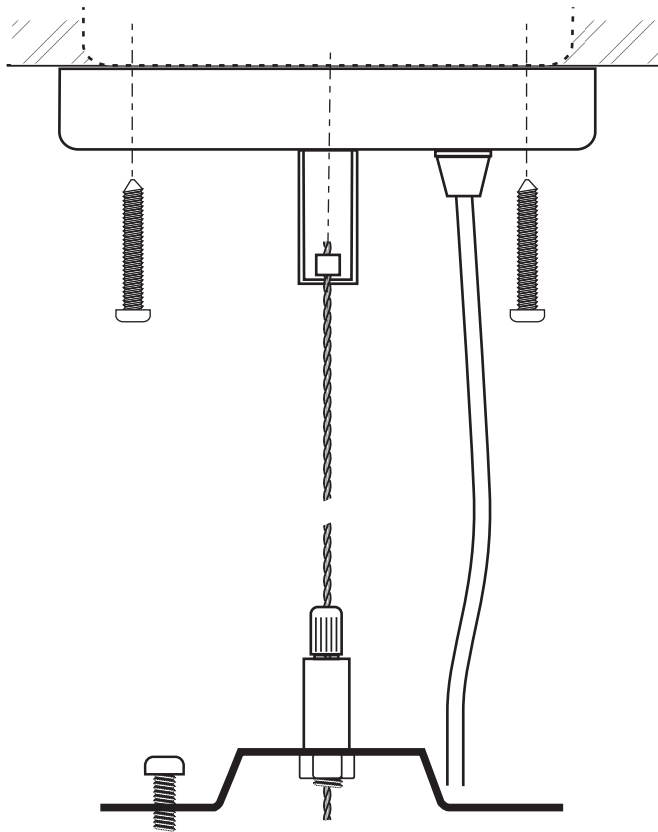
Lighting Track Suspension Kit

- Gripper w/Safety Nut
- 1/16 in. Galvanized Cable X 20'- 0"
- Bracket for Juno or Lightolier Track
- Bracket to Fix on Ceiling



Lighting Track Suspension Kit

- Gripper w/Safety Nut
- 1/4-20 Male on Bottom with Nut
- 1/16 in. Galvanized Cable X 20'- 0"
- Bracket to Fix on Ceiling
- Bracket for Juno or Lightolier Track

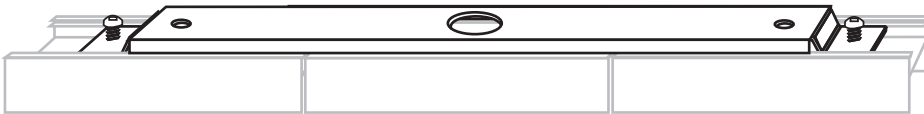


Lighting Track Suspension Canopy Kit

- Gripper w/Safety Nut
- 1/16 in. Gavanized Cable X 20'- 0"
- Canopy to Fix on Ceiling
- Bracket for Juno or Lightolier Track
- 120Volts SVT (Specify lenght on order)
- Fixed Screw

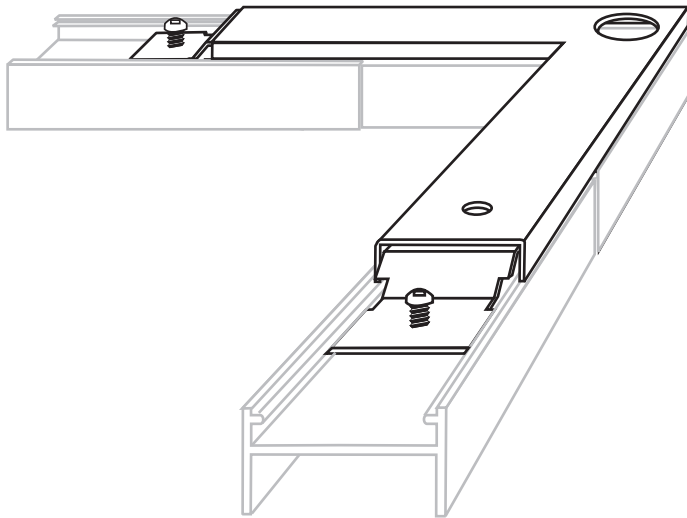
Lighting Straight Aligner Track Suspension Kit

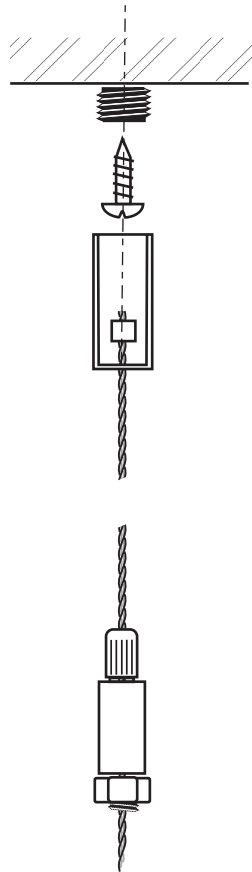
- Straight Bracket Aligner for Juno or Lightolier Track
- 2 Hole for Gripper # MGR 1/4-20
- 1 Hole for connector



Lighting 90° Aligner Track Suspension Kit

- 90° Bracket Aligner for Juno or Lightolier Track
- 2 Hole for Gripper # MGR 1/4-20
- 1 Hole for connector





Lighting Aircraft Cable Kit

- Gripper w/Safety Nut
- 1/4-20 Male on Bottom with Nut
- 1/16 in. Gavanized Cable X 20'- 0"
- Bracket to Fix on Ceiling



Lighting Aircraft Cable Grippers

- Bottom Exit Gripper w/Safety Nut for 1 1/16 in. Cable
 - 1/4-20 Male on Bottom
 - .250 in. Mounting Hole
 - 1.64 in. W x .45 in. Thread
-

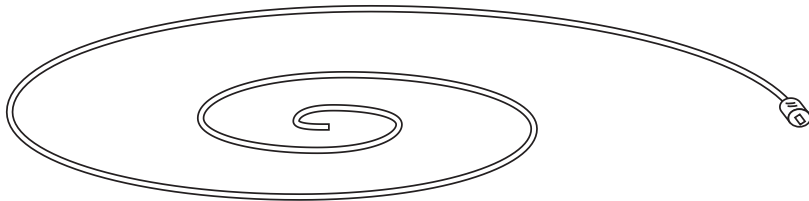


Lighting Aircraft Cable Grippers

- Bottom Exit Gripper w/Safety Nut for 1 1/16 in. Cable
 - 1/4-20 Male on Bottom
 - .250 in. Mounting Hole
 - 1.64 in. W x .45 in. Thread
-

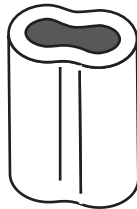
Galvanized Aircraft Cable 1/16"Ø

- 1/16 in. Galvanized Cable Assembly
with fuse one end diecast stop on other end
for use with gripper # MGR 1/4-20



Duplex Sleeve

- Aluminium Duplex Sleeve
for 1/16" Cable



Duplex Sleeve

- Aluminium Duplex Sleeve
for 1/16" Cable

